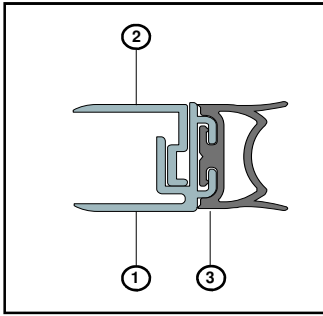


# IS7310si

## Fitting Instruction

Glass door meeting edge seals  
With silicone rubber seals.



Length:

### DESCRIPTION OF CONTENTS

- Aluminium gasket carrier (1)
- Aluminium side leg (2)
- Silicone rubber gasket (3)
- Fitting Instruction

### TOOLS REQUIRED FOR INSTALLATION

- Tape measure
- Saw (power or hand)
- Knife
- Pencil or Marker

### INSTALLATION DETAIL

#### STEP 1

Remove the seal from the packaging and measure the height of the meeting edges.

#### STEP 2

Mark the length on the aluminium carrier. Cut to size using a knife for the silicone seal and a saw for the aluminium carrier.

#### STEP 3

Wipe down the door edge to ensure it is free of grease or dust.

#### STEP 4

Separate the gasket carrier and side leg. Remove the self adhesive backing tape from the gasket holder (1) and firmly apply to the edge of the glass door.

#### STEP 5

Remove the self adhesive backing tape from the side leg (2). Starting at the top of the door engage it into the gasket carrier and bring the two together.

#### STEP 6

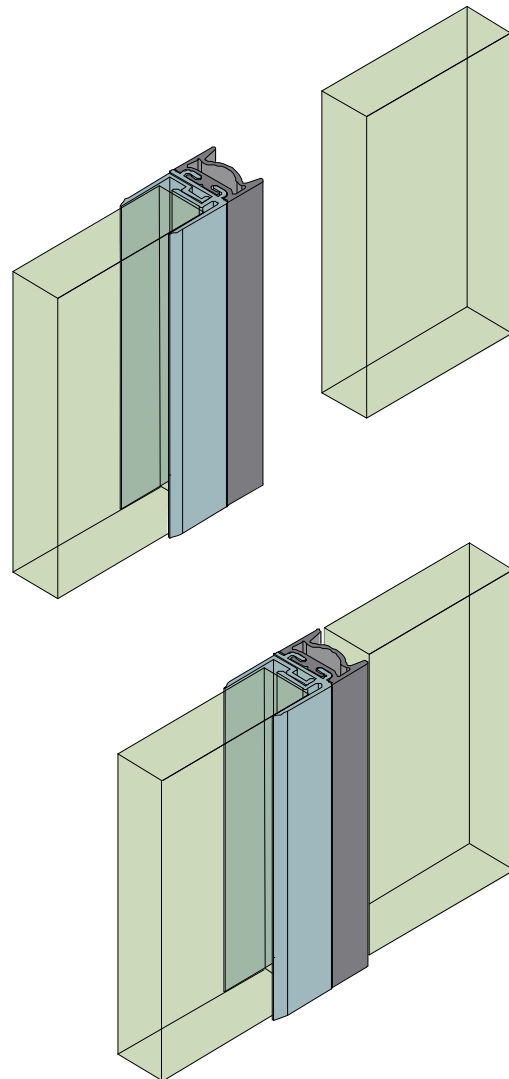
Press the two firmly together to ensure that the self adhesive tape is adhered to the glass.

**IMPORTANT** – *Ensure that the installation of this product does not impede the opening or closing of the door. It is recommended to check the adjustment of the door seal periodically to ensure the door assembly to which it is fitted, closes properly.*

### NOTE

*Recommendations as to methods for use of materials and construction details are based on the experience and knowledge of Lorient and are given in good faith as a general guide and service to designers, contractors and manufacturers.*

*Lorient reserves the right to make alterations or delete any installation detail without prior notice.*



### OTHER INTEGRITY™ ARCHITECTURAL SEALS INCLUDE:

- Door Perimeter Seals
- Door Bottom Seals
- Automatic Door Bottom Seals
- Threshold Plates
- Brush Seals
- Magnetic Seals

Contact your nearest Lorient office for further details.

**AUSTRALIA**  
Lorient Australia  
Tel 1300 858 010

**ASIA PACIFIC**  
Lorient Pacific Limited Hong Kong  
Tel: (+852) 2505 0328

**EUROPE**  
Lorient Polyproducts Ltd UK  
Tel: (+44) 1626 834252

**MIDDLE EAST**  
Lorient Middle East Building  
Materials Trading LLC Dubai  
Tel (+971) 4267 4339  
Fax (+971) 4267 5339



Architectural Seals