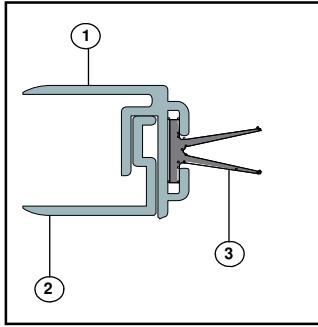


IS7330si

Fitting Instruction

Glass door meeting edge seals
With silicone rubber fin seal.



Length:

DESCRIPTION OF CONTENTS

- Aluminium gasket carrier (1)
- Aluminium side leg (2)
- Silicone rubber gasket (3)
- Fitting Instruction

TOOLS REQUIRED FOR INSTALLATION

- Tape measure
- Saw (power or hand)
- Knife
- Pencil or marker

INSTALLATION DETAIL

STEP 1

Remove the seal from the packaging and measure the height of the meeting edges.

STEP 2

Mark the length on the aluminium carrier. Cut to size using a knife for the silicone seal and a saw for the aluminium carrier.

STEP 3

Wipe down the door edge to ensure it is free of grease or dust.

STEP 4

Separate the gasket carrier and side leg. Remove the self adhesive backing tape from the gasket holder (1) and firmly apply to the edge of the glass door.

STEP 5

Remove the self adhesive backing tape from the side leg (2). Starting at the top of the door engage it into the gasket carrier and bring the two together.

STEP 6

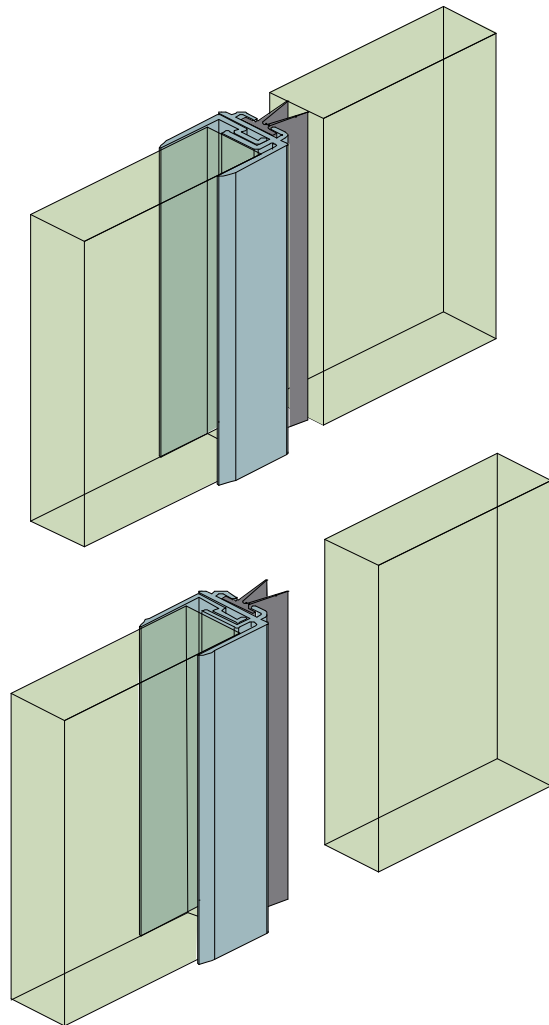
Press the two firmly together to ensure that the self adhesive tape is adhered to the glass.

IMPORTANT – Ensure that the installation of this product does not impede the opening or closing of the door. It is recommended to check the adjustment of the door seal periodically to ensure the door assembly to which it is fitted, closes properly.

NOTE

Recommendations as to methods for use of materials and construction details are based on the experience and knowledge of Lorient and are given in good faith as a general guide and service to designers, contractors and manufacturers.

Lorient reserves the right to make alterations or delete any installation detail without prior notice.



OTHER INTEGRITY™ ARCHITECTURAL SEALS INCLUDE:

- Door Perimeter Seals
- Door Bottom Seals
- Automatic Door Bottom Seals
- Threshold Plates
- Brush Seals
- Magnetic Seals

Contact your nearest Lorient office for further details.

AUSTRALIA
Lorient Australia
Tel 1300 858 010

ASIA PACIFIC
Lorient Pacific Limited Hong Kong
Tel: (+852) 2505 0328

EUROPE
Lorient Polyproducts Ltd UK
Tel: (+44) 1626 834252

MIDDLE EAST
Lorient Middle East Building
Materials Trading LLC Dubai
Tel (+971) 4267 4339
Fax (+971) 4267 5339