

**PRODUCT CODE**  
**IS8010si**



**DESCRIPTION**

Medium duty automatic door bottom seal.

**APPLICATION**

A concealed automatic door bottom seal which is mortised into the bottom edge of single action doors. It operates automatically by a spring loaded mechanism which lifts the seal clear off the floor as soon as the door is opened.

**KEY FEATURES**

- High performance mechanism resulting in lower door operating forces to comply with AS1428/1 (Design for access and mobility).
- Durable elastomer fins are incorporated within the gasket housing to provide additional smoke and acoustic sealing properties.
- Tested for reliability, completing over 1,000,000 open and close cycles.
- Requires no power connection.
- Self-levelling seal on uneven surfaces.
- Radiused end plates available allowing for easy router installation.
- Seal height can be adjusted independently of the fixing screws.
- Can be fitted to aluminium doors by door fabricators.

**USE WITH**

Used in conjunction with any Lorient Integrity™7000 series perimeter seal and 4000 series threshold plate to provide a total door sealing solution.

**MATERIALS**

An extruded and anodised aluminium profile combined with a high performance silicone flexible gasket.

**GAP SIZE**

Minimum 3mm - Maximum 15mm

**SIZES**

**Individual Lengths** 380mm, 600mm, 820mm, 920mm, 1070mm, 1220mm  
Seals can be cut on-site for exact dimensions.

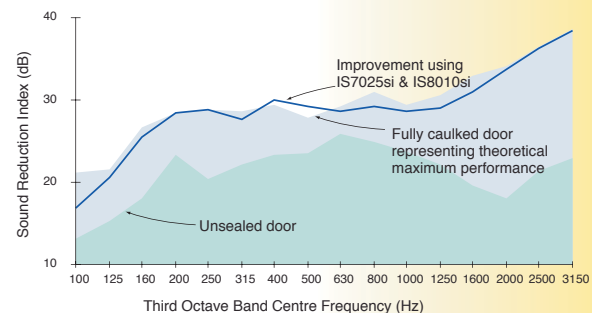
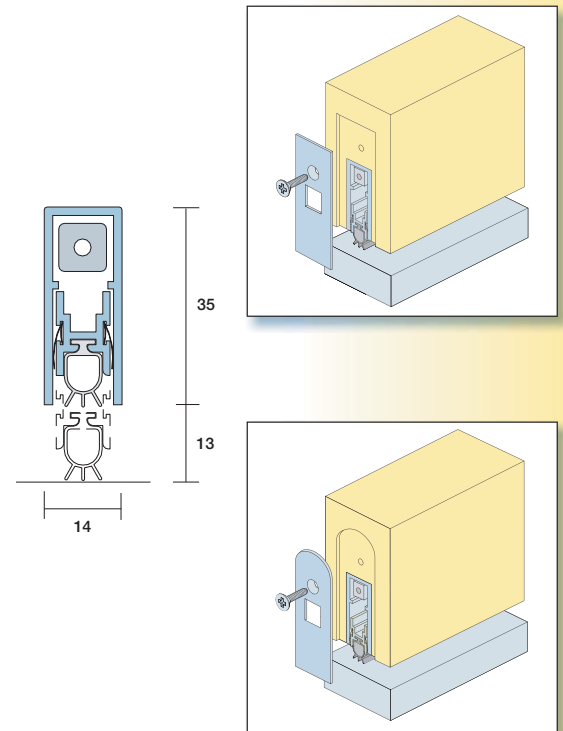
**FINISH**

- Silver anodised aluminium with either stainless steel or bronze plated end plates. High performance grey silicone gasket supplied standard.

Other finishes available to special order.

**APPROVAL/S**

- AS1530/4 fire tests with proprietary fire door assemblies.
- AS1530/7 air (smoke) leakage rates available at ambient and medium temperature at various pressures.
- Can be considered deemed to satisfy to BCA specification C3.4 for use with smoke doors.
- Acoustic ratings to AS1191 and AS1276 in conjunction with other Lorient Integrity™ seals.
- Independent tests have been conducted, demonstrating over 1,000,000 open and close cycles without significant wear.



**FIXING**

This seal is simply mortised into a 15mm x 35mm groove in the door bottom and supported by end plates. Detailed fixing instructions are supplied with each unit.

**SPECIFICATIONS**

Lorient Integrity™ IS8010si fitted to the bottom of the door leaf.

Lorient reserves the right to alter published data or make products obsolete without prior notice.

**Please contact our office if you require any further information**

**Head Office** Ph: (07) 3635 5000 Fax: (07) 3861 9266  
**Toll Free** 1300 858 010  
**E-mail** sales@lorient.com.au [www.lorient.com.au](http://www.lorient.com.au)

Datasheet D-024-06/09. All measurements in mm. Copyright © 2009 Lorient Australia.

