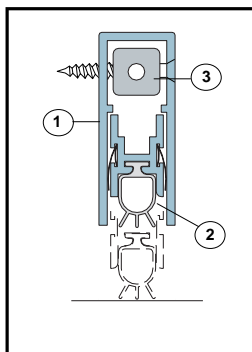




IS8011si Fitting Instruction

Automatic Door Bottom Seal



Length:

DESCRIPTION OF CONTENTS

- Aluminium Carrier (1)
- Flexible Gasket (2)
- Actuator button (3)
- Smoke fins (4)
- Bag containing
 1. 2 x end plates
 2. 2 x screws
 3. 1 x striker button
- Fitting Instructions

TOOLS REQUIRED FOR INSTALLATION

- Tape Measure
- Saw (Power or Hand)
- Screw Driver
- 2.5mm Drill Bit
- Drill (Power or Hand)
- Knife
- Pencil or marker
- Router
- 15mm long series router



Architectural Seals

FACE FIXED INSTALLATION

STEP 1

Remove the seal from the packaging and measure the distance between the door stops.

STEP 2

Remove the plastic end plate on the non actuator button side.

STEP 3

Using a saw (power or hand), cut the aluminium section to the desired length, less 2mm allowing for replacement of the end plate.

WARNING: check maximum cut-back lengths on table provided.

STEP 4

Position the seal at the bottom face of the door on the stop side of the door, allowing a maximum 13mm gap (minimum 5mm) between the door bottom and the sill.

STEP 5

Screw fix using screws provided, positioning the seal to lightly touch the sill.

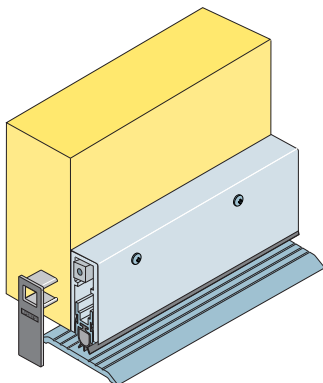
STEP 6

For timber frames, position the striker button on the stop where the actuator button meets the door stop.

STEP 7

When the door leaf is re-fitted open and close the door observing the operation of the seal. Adjust accordingly by winding the operating button in or out. (For timber frames, fix the striker button to the frame opposite the operating button.)

If seal movement needs adjustment to make less contact or full contact with floor, pull out actuator button clear of aluminium housing. Firmly holding threaded rod, turn adjustable block clockwise to reduce movement or anticlockwise to increase the seal movement.



IS8011si face fixed together with an IS4130 threshold plate.

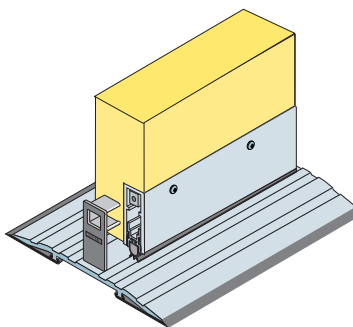
SEMI-MORTISED

STEP 1

Remove the door from its hinges and mortise a 35mm deep x 14mm wide groove into the bottom of the door (on the side of the door the seal is to be positioned) and re-hang the door.

STEP 2

Measure the door width between stops. Cut the seal to length, using the same principles as per the face-fixed installation details.



IS8011si semi-mortised together with an IS4015 threshold plate.

We recommend IS8011si automatic door bottom seal be used together with a Lorient Integrity™ 7000 series perimeter seal and, if required a 4000 series threshold plate.

IMPORTANT – Ensure that the installation of this product does not impede the opening or closing of the door. It is recommended to check the adjustment of the door seal periodically to ensure the door assembly to which it is fitted, closes and latches properly.

The seal may be removed for periodic cleaning or replacement of a worn gasket, without removing the door leaf from its frame.

OTHER INTEGRITY™ ARCHITECTURAL SEALS INCLUDE:

- Door Perimeter Seals
- Door Bottom Seals
- Automatic Door Bottom Seals
- Threshold Plates
- Brush Seals
- Magnetic Seals

Contact your nearest Lorient office for further details.

NOTE

Recommendations as to methods for use of materials and construction details are based on the experience and knowledge of Lorient and are given in good faith as a general guide and service to designers, contractors and manufacturers.

Lorient reserves the right to make alterations or delete any installation detail without prior notice.

CUT BACK SIZES

Do not cut the seal shorter than the lengths indicated below or this will affect the normal operation of the internal mechanism:

400mm	cuts to	275mm
600mm	cuts to	400mm
820mm	cuts to	600mm
920mm	cuts to	820mm
1070mm	cuts to	920mm
1220mm	cuts to	1070mm

AUSTRALIA
Lorient Australia
Tel 1300 858 010

ASIA PACIFIC
Lorient Pacific Limited Hong Kong
Tel: (+852) 2505 0328

EUROPE
Lorient Polyproducts Ltd UK
Tel: (+44) 1626 834252

MIDDLE EAST
Lorient Middle East Building
Materials Trading LLC Dubai
Tel (+971) 4267 4339
Fax (+971) 4267 5339