

PRODUCT CODE
IS8011si



DESCRIPTION

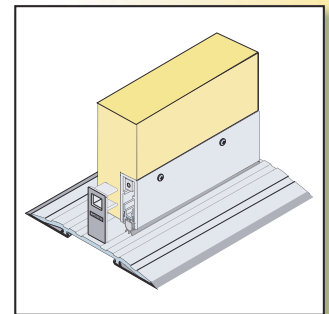
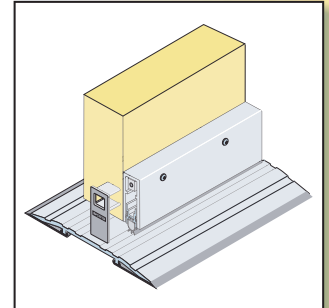
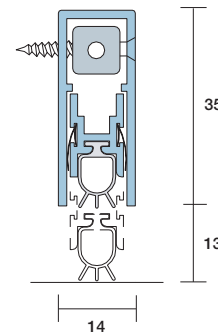
Medium duty, automatic door bottom seal.

APPLICATION

An automatic door bottom seal which is face-fixed or semi-mortised to the bottom edge of single action doors. It operates automatically by a spring-loaded mechanism which lifts the seal clear of the floor as soon as the door is opened.

KEY FEATURES

- High performance mechanism resulting in lower door operating forces to comply with AS1428/1 (Design for access and mobility).
- Durable elastomer fins are incorporated within the gasket housing to provide additional smoke and acoustic sealing properties.
- Tested for reliability, completing over 1,000,000 open and close cycles.
- Requires no power connection.
- Self-levelling seal on uneven surfaces.
- Aesthetic and slim-line moulded plastic “clip-on” end plates ensure longevity of the seal mechanism housing.
- No rebating is required for surface mounted application.
- Seal height can be adjusted independently of the fixing screws.
- Can be fitted to aluminium doors by door fabricators.
- Seal is adjustable for left and right-handed operation.
- Specially designed to be face-fixed or semi-mortised, through pre-drilled fixing holes.



USE WITH

Used in conjunction with any Lorient Integrity™ 7000 series perimeter seal and 4000 series threshold plate to provide a total door sealing system.

MATERIALS

An extruded and anodised aluminium profile combined with a high performance, flexible silicone gasket.

GAP SIZE

Minimum 3mm - Maximum 15mm

SIZES

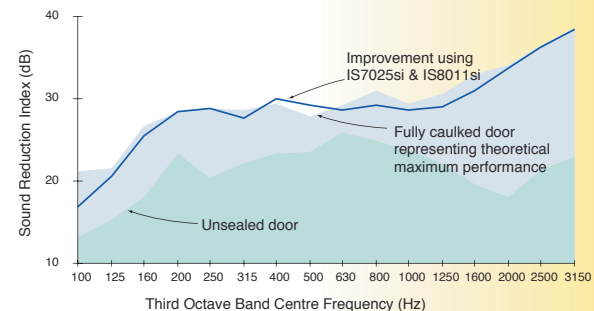
Standard Lengths 380mm, 600mm, 820mm, 920mm, 1070mm, 1220mm
Seals can be cut on-site for exact dimensions.

FINISH

- Silver anodised aluminium with grey injection moulded, plastic “push-fit” end plates and high performance grey silicone gasket.
- Bronze anodised aluminium with black injection moulded, plastic “push-fit” end plates and high performance black silicone gasket.

FIXING

This seal is simply face-fixed or semi-mortised onto the door bottom through pre-drilled fixing holes with screws provided. Detailed fixing instructions are supplied with each unit.



APPROVAL/S

- AS1530/4 fire tests with proprietary fire door assemblies.
- Can be considered deemed to satisfy to BCA specification C3.4 for use with smoke doors (when fitted to compliant door leaf).
- Acoustic ratings to AS1191 and AS1276 in conjunction with other Lorient Integrity™ seals.
- Independent tests have been conducted, demonstrating over 1,000,000 open and close cycles without significant wear.

SPECIFICATIONS

Lorient Integrity™ IS8011si fitted to the bottom of the door leaf.

Lorient reserves the right to alter published data or make products obsolete without prior notice.

Please contact our office if you require any further information

Head Office Ph: (07) 3635 5000 Fax: (07) 3861 9266
Toll Free 1300 858 010
E-mail sales@lorient.com.au www.lorient.com.au

Datasheet D-034-06/09. All measurements in mm. Copyright © 2009 Lorient Australia.

