

PRODUCT CODE
IS8035si
DESCRIPTION

Medium duty, automatic door bottom seal with rigid cover strip to conceal fixings.

APPLICATION

An automatic door bottom seal which is face-fixed or semi-mortised into the bottom edge of single action doors. It operates automatically by a spring-loaded mechanism which lifts the seal clear of the floor as soon as the door is opened.

KEY FEATURES

- Cover strip over screw fixing points provides aesthetic finish.
- New high performance mechanism resulting in lower door operating forces to comply with AS1428/1 (Design for access and mobility).
- Durable elastomeric fins are incorporated within the gasket housing to provide additional smoke and acoustic sealing properties.
- Tested for reliability, completing over 1,000,000 open and close cycles, without failure.
- Requires no power connection.
- Self-levelling seal on uneven surfaces.
- Slim-line, plastic “push-on” end plates ensure longevity of the seal mechanism housing.
- No rebating is required for surface mounted application.
- Seal height can be adjusted independently of the fixing screws.
- Specially designed to be face-fixed or semi-mortised.

USE WITH

Used in conjunction with any Lorient Integrity™ 7000 series perimeter seal and 4000 series threshold plate to provide a total door sealing solution.

MATERIALS

An extruded and anodised aluminium profile, combined with a high performance, flexible silicone gasket.

GAP SIZE

Minimum 3mm — Maximum 10mm

SIZES

Standard Lengths 380mm, 600mm, 820mm,
920mm, 1070mm, 1220mm.

Seals can be cut on-site for exact dimensions.

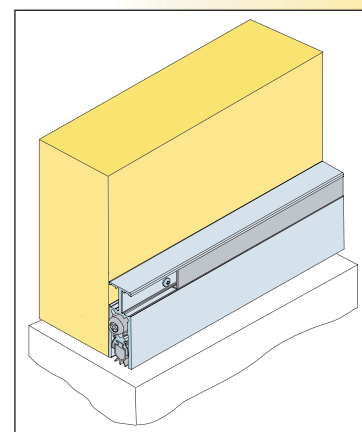
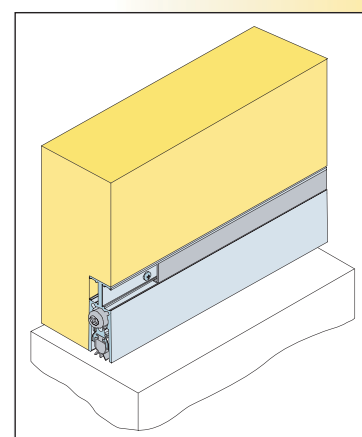
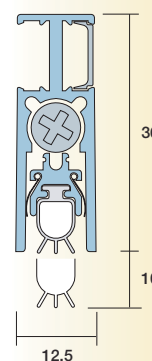
FINISH

- Silver anodised aluminium with grey moulded, plastic “push-on” end plates and high performance grey silicone gasket supplied standard.

Other finishes available to special order.

APPROVAL/S

- AS1530/4 fire tests with proprietary fire door assemblies.
- Can be considered deemed to satisfy to BCA specification C3.4 for use with smoke doors (when fitted to compliant door leaf).
- Acoustic ratings to AS1191 and AS1276 in conjunction with other Lorient Integrity™ seals.
- Tests have been conducted, demonstrating over 1,000,000 open and close cycles without significant wear.


FIXING

This seal is simply face-fixed or semi-mortised into the door bottom with screws provided. Detailed fixing instructions are supplied with each unit.

SPECIFICATIONS

Lorient Integrity™ IS8035si fitted to the bottom of the door leaf.