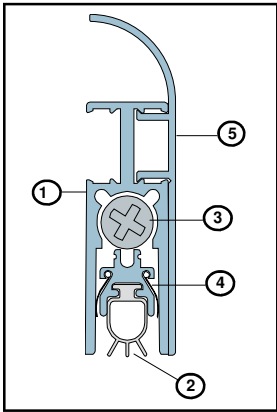


IS8036si

Fitting Instruction

Automatic Door Bottom Seal



Length:

DESCRIPTION OF CONTENTS

- Aluminium Housing (1)
- Silicone Gasket (2)
- Actuator Button (3)
- Smoke Fins (4)
- Curved Aluminium Cover (5)
- Bag containing
 1. 2 x End Caps & Plug
 2. Fixing Screws
 3. 1 x Striker Button
- Fitting Instructions

TOOLS REQUIRED FOR INSTALLATION

- Tape Measure
- Saw (Power or Hand)
- Screw Driver
- 4mm Drill Bit
- 2.5mm Drill Bit
- Drill (Power or Hand)
- Knife
- Pencil or Marker

FACE FIXED INSTALLATION

STEP 1

Remove the seal from the packaging.

STEP 2

WARNING: check maximum cut back lengths on the table provided.

Measure the distance between the door stops. Pull back the gasket from the **opposite** end to the actuator button and using a power saw/hacksaw, cut the aluminium sections to the measured length, less 6mm for end caps and clearance. Remove cutting swarf.

Push gasket back into position and cut to length with a sharp knife.

STEP 3

Separate (slide) the aluminium housing and the curved cover plate. Fit the end cap to the actuator button end and position the seal at the bottom face of the door on the stop side, button end tight up to the door stop and allowing a maximum 10mm gap (minimum 3mm) between the door bottom and the sill. Ensure the actuator button is on the hinge side.

STEP 4

Drill holes in aluminium housing then pre-drill and screw fix to the door using screws provided.

STEP 5

Re-fit the curved cover plate to hide the screw fixing. Fit the remaining end cap and plug.

STEP 6

For timber frames, position the striker button on the stop where the actuator button meets the door stop.

STEP 7

Open and close the door observing the operation of the seal. Adjust accordingly by winding the actuator button clockwise to reduce movement and anticlockwise to increase the seal movement.

NOTE: For optimum results the seal should be adjusted so that the silicone gasket touches the sill in the final closing moment of the door.

We recommend IS8036si automatic door bottom seal be used together with a Lorient Integrity™ 7000 series perimeter seal and, if required a 4000 series threshold plate.

IMPORTANT – Ensure that the installation of this product does not impede the opening or closing of the door. It is recommended to check the adjustment of the door seal periodically to ensure the door assembly to which it is fitted, closes and latches properly.

NOTE

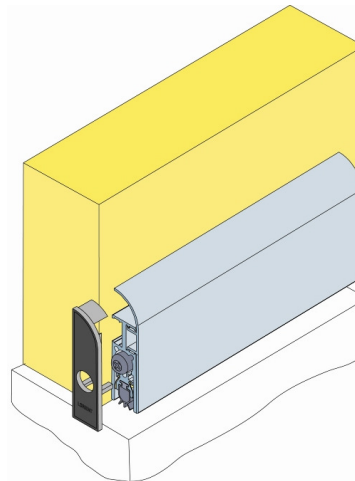
Recommendations as to methods for use of materials and construction details are based on the experience and knowledge of Lorient and are given in good faith as a general guide and service to designers, contractors and manufacturers.

Lorient reserves the right to make alterations or delete any installation detail without prior notice.

CUT BACK SIZES

Do not cut the seal shorter than the lengths indicated below or this will affect the normal operation of the internal mechanism:

380mm	cuts to	275mm
600mm	cuts to	380mm
820mm	cuts to	600mm
920mm	cuts to	820mm
1070mm	cuts to	920mm
1220mm	cuts to	1070mm



IS8036si face fixed

OTHER INTEGRITY™ ARCHITECTURAL SEALS INCLUDE:

- Door Perimeter Seals
- Threshold Plates
- Door Bottom Seals
- Brush Seals
- Automatic Door Bottom Seals
- Magnetic Seals

Contact your nearest Lorient office for further details.



Architectural Seals

AUSTRALIA
Lorient Australia
Tel 1300 858 010

ASIA PACIFIC
Lorient Pacific Limited Hong Kong
Tel: (+852) 2505 0328

EUROPE
Lorient Polyproducts Ltd UK
Tel: (+44) 1626 834252

MIDDLE EAST
Lorient Middle East Building
Materials Trading LLC Dubai
Tel (+971) 4267 4339
Fax (+971) 4267 5339