


PRODUCT CODE
IS8036si
DESCRIPTION

Medium duty, automatic door bottom seal with aesthetic, curved aluminium cover plate.

APPLICATION

An automatic door bottom seal which is face-fixed to the bottom edge of single action doors. It operates automatically by a spring-loaded mechanism which lifts the seal clear of the floor as soon as the door is opened.

KEY FEATURES

- New curved aluminium cover plate conceals fixing points and provides aesthetic finish.
- Durable fins are incorporated within the gasket housing to provide additional smoke and acoustic sealing properties.
- Aesthetic, injection moulded plastic “push-fit” end caps.
- New high performance mechanism resulting in lower door operating forces to comply with AS1428/1 (Design for access and mobility).
- Tested for reliability—completing over 1,000,000 open and close cycles.
- Requires no power connection.
- Self-levelling seal on uneven surfaces.
- Seal height can be adjusted independently of the fixing screws.

USE WITH

Used in conjunction with the Lorient IS7021si perimeter seal and 4000 series threshold plate to provide a total door sealing solution.

MATERIALS

An anodised aluminium profile and cover plate combined with a high performance, flexible silicone gasket.

GAP SIZE

Minimum 3mm — Maximum 10mm

SIZES

Standard Lengths 380mm, 600mm, 820mm, 920mm, 1070mm, 1220mm.

Seals can be cut on-site for exact dimensions.

FINISH

- Silver anodised aluminium sections with grey moulded, plastic “push-on” end plates and grey silicone gasket.
- Bronze anodised aluminium sections with black moulded, plastic “push-on” end plates and black silicone gasket.

FIXING

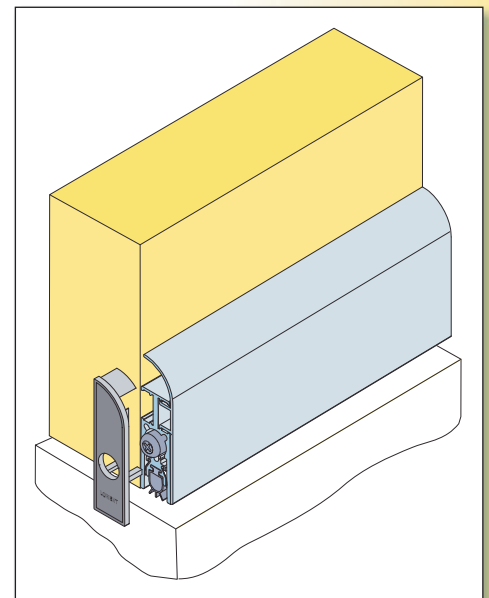
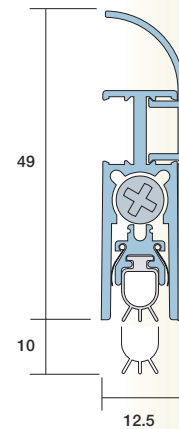
This seal is face-fixed onto the bottom of the door leaf. Detailed fixing instructions are supplied with each unit.

SPECIFICATIONS

Lorient Integrity™ IS8036si fitted to the bottom face of the door leaf.

APPROVAL/S

- AS1530/4 fire tests with proprietary fire door assemblies.
- Can be considered deemed to satisfy BCA specification C3.4 for use with smoke doors.
- Independent tests have been conducted, demonstrating over 1,000,000 open and close cycles without significant wear.



Above: IS8036si automatic door bottom seal