

**PRODUCT CODE**  
**IS8091si**
**DESCRIPTION**

A heavy duty automatic door bottom seal.

**APPLICATION**

An automatic door bottom seal that is face-fixed to the bottom edge of single action doors. It operates automatically by a spring-loaded mechanism which lifts the seal clear of the floor as soon as the door is opened.

**KEY FEATURES**

- Aesthetically designed, anodised aluminium “snap-on” cover plate.
- High performance mechanism resulting in lower door operating forces to comply with AS1428/1 (Design for access and mobility).
- Multi-chambered silicone gasket as standard for best acoustic, fire and smoke performance.
- Durable elastomer fins are incorporated within the gasket housing to provide additional smoke and acoustic sealing properties.
- Aesthetic, injection moulded plastic “clip-on” end plates ensure longevity of the seal mechanism, avoiding dust build-up and foreign matters entering the mechanism housing.
- Tested for reliability, completing over 1,000,000 open and close cycles.
- Requires no power connection.
- Self-levelling seal on uneven surfaces.
- Seal height can be adjusted independently of the fixing screws.
- Can be fitted to aluminium doors by door fabricators.
- Seal is adjustable for left and right handed operation.

**USE WITH**

Used in conjunction with any Lorient Integrity™ 7000 series perimeter seal and 4000 series threshold plate to provide a total door sealing solution.

**MATERIALS**

An extruded aluminium housing and anodised aluminium cover plate, combined with a high performance, flexible silicone gasket.

**GAP SIZE**

Minimum 0mm - Maximum 15mm

**SIZES**

**Standard Lengths** 450mm, 610mm, 820mm, 920mm,  
1070mm, 1220mm, 1500mm  
Seals can be cut on-site for exact dimensions.

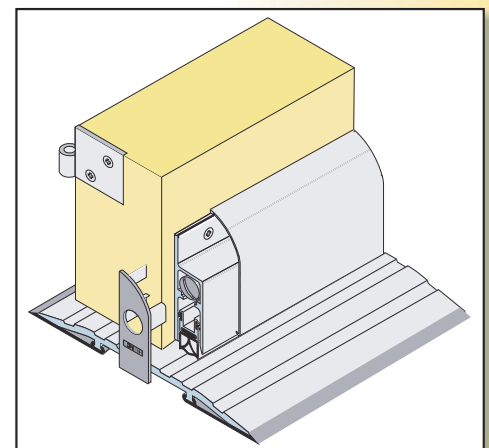
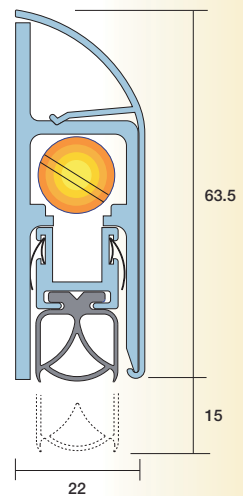
**FINISH**

- Silver anodised aluminium cover plate with injection moulded, plastic “push-fit” end plates.  
High performance grey silicone gasket.
- Bronze anodised aluminium cover plate with injection moulded, plastic “push-fit” end plates.  
High performance black silicone gasket.

Other finishes available to special order.

**FIXING**

This seal is face-fixed to the door leaf. Detailed fixing instructions are supplied with each unit.


**APPROVAL/S**

- AS1530/4 fire tests with proprietary fire door assemblies.
- Can be considered deemed to satisfy to BCA specification C3.4 for use with smoke doors (when fitted to compliant door leaf).
- Acoustic ratings to AS1191 and AS1276 in conjunction with other Lorient Integrity™ seals.
- Independent tests have been conducted, demonstrating over 1,000,000 open and close cycles without significant wear.

**SPECIFICATIONS**

Lorient Integrity™ IS8091si fitted to the bottom of the door leaf.