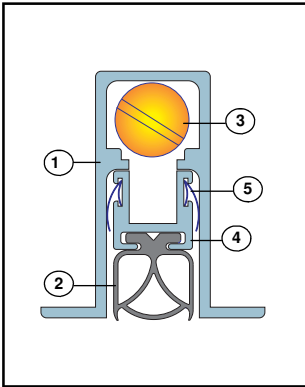


IS8100si

Fitting Instruction

Automatic Door Bottom Seal



Length:

DESCRIPTION OF CONTENTS

- Aluminium Housing (1)
- Silicone Gasket (2)
- Actuator Button (3)
- Internal Carrier (4)
- Smoke Fins (5)
- Bag containing
 1. 2 x End caps
 2. Bag of screws
 3. Striker Button
- Fitting Instructions

TOOLS REQUIRED FOR INSTALLATION

- Tape Measure
- Saw (power or hand)
- Screw Driver
- 2.5mm Drill Bit
- Drill (power or hand)
- Knife
- Pencil or Marker
- Router
- Long Series Cutter

INSTALLATION DETAIL

STEP 1

Remove the seal from the packaging .

STEP 2

Remove the door from its hinges, lay on it's side and firmly restrain.

(If the door bottom is already grooved to suit the seal dimensions, go to Step 5.)

STEP 3

Measure and mark the seal position on the bottom edge of the door. For optimum operation, the seal should be positioned on the centre line of the door.

STEP 4

Fit a suitable cutter to the router and set guide. Machine a 21mm wide by 43mm deep groove along the bottom of the door.

STEP 5

Clear chips and dust from groove, check width and depth.

STEP 6

WARNING: Check maximum cut back lengths on the table provided.

Measure the door width. Pull back the gasket from the opposite end to the actuator button and using a power saw/hacksaw, cut the aluminium sections to the measured length. Remove cutting swarf.

NB: When cutting the seal to length, shorten the inner carrier by a further 3mm by removing the small self tapping screw from the top of the housing and sliding the internal carrier proud of the housing. Cut to length, slide back and re-fix screw.

Push the gasket back into position and cut to length with a sharp knife.

STEP 7

Position the seal in the groove and mark fixing hole positions on the bottom edge. Ensure that the actuator button is on the hinge side of the door.

STEP 8

Drill pilot holes and then screw fix seal into position. Push fit end caps.

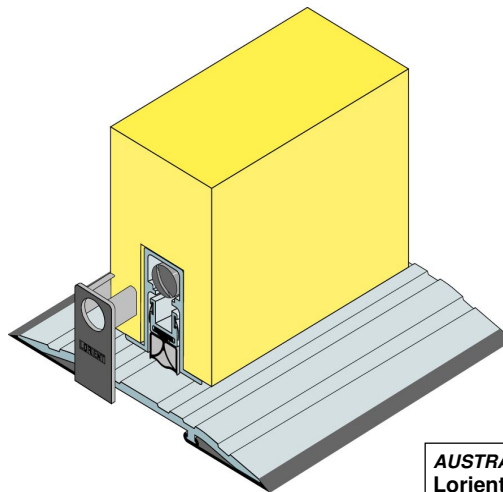
STEP 9

When the door leaf is re-fitted open and close the door observing the operation of the seal. Adjust accordingly by winding the actuator button clockwise to reduce movement and anticlockwise to increase the seal movement. (For timber frames, fix the striker button to the frame opposite the operating button.)

NOTE: For optimum results the seal should be adjusted so that the seals silicone gasket touches the sill in the final closing moment of the door.

We recommend IS8100si Automatic Door Bottom Seal be used together with a Lorient Integrity® 7000 Series perimeter seal and 4000 Series threshold plate.

IMPORTANT – Ensure that the installation of this product does not impede the opening or closing of the door. It is recommended to check the adjustment of the door seal periodically to ensure the door assembly to which it is fitted, closes and latches properly.



NOTE

Recommendations as to methods for use of materials and construction details are based on the experience and knowledge of Lorient and are given in good faith as a general guide and service to designers, contractors and manufacturers.

Lorient reserves the right to make alterations or delete any installation detail without prior notice.

CUT BACK SIZES

Do not cut the seal shorter than the lengths indicated below or this will affect the normal operation of the internal mechanism.

450mm cuts to	275mm
610mm cuts to	450mm
820mm cuts to	610mm
920mm cuts to	820mm
1070mm cuts to	920mm
1220mm cuts to	1070mm
1500mm cuts to	1220mm

OTHER INTEGRITY™ ARCHITECTURAL SEALS INCLUDE:

- Door Perimeter Seals
- Door Bottom Seals
- Automatic Door Bottom Seals
- Threshold Plates
- Brush Seals
- Magnetic Seals

Contact your nearest Lorient office for further details.

AUSTRALIA
Lorient Australia
Tel 1300 858 010

ASIA PACIFIC
Lorient Pacific Limited Hong Kong
Tel: (+852) 2505 0328

EUROPE
Lorient Polyproducts Ltd UK
Tel: (+44) 1626 834252

MIDDLE EAST
Lorient Middle East Building
Materials Trading LLC Dubai
Tel (+971) 4267 4339
Fax (+971) 4267 5339