

PRODUCT CODE
IS8100si
DESCRIPTION

A heavy duty automatic door bottom seal.

APPLICATION

A fully mortised, automatic door bottom seal for single action doors. It operates automatically by a spring-loaded mechanism which lifts the seal clear of the floor as soon as the door is opened.

KEY FEATURES

- High performance mechanism resulting in lower door operating forces to comply with AS1428/1 (Design for access and mobility).
- Multi-chambered silicone gasket as standard for best acoustic, fire and smoke performance.
- Durable elastomer fins are incorporated within the gasket housing to provide additional smoke and acoustic sealing properties.
- Aesthetic, injection moulded plastic “clip-on” end plates ensure longevity of the seal mechanism, avoiding dust build-up and foreign matters entering the mechanism housing.
- Tested for reliability, completing over 1,000,000 open and close cycles.
- Requires no power connection.
- Self-levelling seal on uneven surfaces.
- Seal height can be adjusted independently of the fixing screws.
- Can be fitted to aluminium doors by door fabricators.

USE WITH

Used in conjunction with a Lorient Integrity™ IS7090si perimeter seal and a 4000 series threshold plate to provide a maximum acoustic door sealing solution.

MATERIALS

An extruded and anodised aluminium profile combined with a high performance, flexible silicone gasket.

GAP SIZE

Minimum 0mm - Maximum 15mm

SIZES

Standard Lengths 450mm, 610mm, 820mm, 920mm,
1070mm, 1220mm, 1500mm
Seals can be cut on-site for exact dimensions.

FINISH

- Silver anodised aluminium with injection moulded, plastic “push-fit” end plates and high performance grey silicone gasket.
- Bronze anodised aluminium with injection moulded, plastic “push-fit” end plates and high performance black silicone gasket.

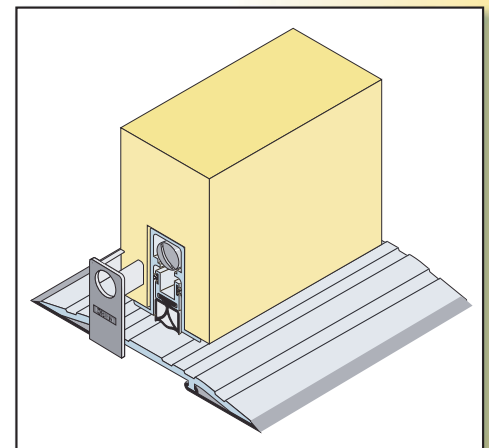
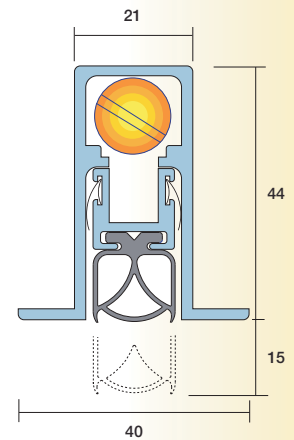
Other finishes available to special order.

FIXING

This seal is fully-mortised into the bottom of the door leaf. Detailed fixing instructions are supplied with each unit.

SPECIFICATIONS

Lorient Integrity™ IS8100si fitted to the bottom of the door leaf.


APPROVAL/S

- AS1530/4 fire tests with proprietary fire door assemblies.
- Can be considered deemed to satisfy to BCA specification C3.4 for use with smoke doors (when fitted to compliant door leaf).
- Acoustic ratings to AS1191 and AS1276 in conjunction with other Lorient Integrity™ seals.
- Independent tests have been conducted, demonstrating over 1,000,000 open and close cycles without significant wear.