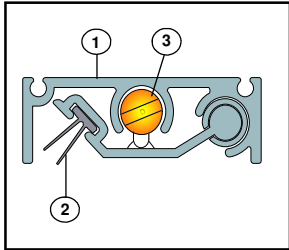


# IS8210si

## Fitting Instruction

Automatic Door Bottom Seal



Length:

### DESCRIPTION OF CONTENTS

- Aluminium Housing (1)
- Silicone Rubber Gasket (2)
- Actuator Button (3)
- Bag containing
  - 2 x End Caps
  - Fixing Screws
  - 1 x Striker Button
- Fitting Instructions

### TOOLS REQUIRED FOR INSTALLATION

- Tape Measure
- Saw (Power or Hand)
- Screw Driver
- 2.5mm Drill Bit
- Drill (Power or Hand)
- Knife
- Pencil or Marker
- Router & Cutter

### INSTALLATION DETAIL

#### STEP 1

Remove the seal from the packaging .

#### STEP 2

Remove the door from its hinges, lay on it's side and firmly restrain.  
(If the door bottom is already grooved to suit the seal dimensions, go to Step 5.)

#### STEP 3

Measure and mark the seal position on the bottom edge of the door. For optimum operation, the seal should be positioned on the centre line of the door.

#### STEP 4

Fit a suitable cutter to the router and set guide. Machine a 31mm wide by 10mm deep groove along the bottom of the door. See Figure 1.

#### STEP 5

Clear chips and dust from groove, check width and depth.

#### STEP 6

**WARNING:** Check maximum cut back lengths on the table provided.

Measure the door width. Pull back the gasket from the **opposite** end to the actuator button and using a power saw/hacksaw, cut the aluminium sections to the measured length. Remove cutting swarf.

Push the gasket back into position and cut to length with a sharp knife.

#### STEP 7

Position the seal in the groove and mark fixing hole positions on the bottom edge. Ensure that the actuator button is on the hinge side of the door.

#### STEP 8

Drill pilot holes and then screw fix seal into position. See Fig 2. Fit end caps.

#### STEP 9

When the door leaf is re-fitted open and close the door observing the operation of the seal. Adjust accordingly by winding the actuator button clockwise to reduce movement and anticlockwise to increase the seal movement. (For timber frames, fix the striker button to the frame opposite the operating button.)

**NOTE:** For optimum results the seal should be adjusted so that the seals silicone gasket touches the sill in the final closing moment of the door.

We recommend IS8210si automatic door bottom seal be used together with a Lorient IS7000 series perimeter seal and, if required a 4000 series threshold plate.



FIGURE 1

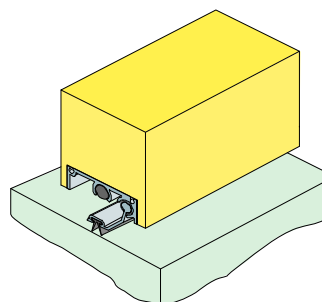


FIGURE 2

### NOTE

*Recommendations as to methods for use of materials and construction details are based on the experience and knowledge of Lorient and are given in good faith as a general guide and service to designers, contractors and manufacturers.*

*Lorient reserves the right to make alterations or delete any installation detail without prior notice.*

**IMPORTANT – Ensure that the installation of this product does not impede the opening or closing of the door. It is recommended to check the adjustment of the door seal periodically to ensure the door assembly to which it is fitted, closes and latches properly.**

### CUT BACK SIZES

Do not cut the seal shorter than the lengths indicated below or this will affect the normal operation of the internal mechanism.

620mm	cuts to	520mm
720mm	cuts to	620mm
820mm	cuts to	720mm
920mm	cuts to	820mm
1020mm	cuts to	920mm
1220mm	cuts to	1020mm

### OTHER INTEGRITY™ ARCHITECTURAL SEALS INCLUDE:

- Door Perimeter Seals
- Threshold Plates
- Door Bottom Seals
- Brush Seals
- Automatic Door Bottom Seals
- Magnetic Seals

Contact your nearest Lorient office for further details.