



PRODUCT CODE

IS8210si

DESCRIPTION

An automatic swing seal for door bottoms.

APPLICATION

An automatic door bottom seal for single action doors which is spring-loaded to swing clear of the floor as soon as the door is opened by a few millimetres.

KEY FEATURES

- Unique 'swing seal' design with the seal mounted under the base of the door.
- Requires no power connection.
- Seal height adjusts independently of the fixing screws to suit the gap size.
- Tested for reliability, completing over 1,000,000 open and close cycles.

USE WITH

Used in conjunction with a Lorient 7000 series perimeter seal and a 4000 series threshold plate to provide an effective door sealing solution.

MATERIALS

An extruded and anodised aluminium profile with durable twin-fin silicone rubber gasket.

GAP SIZE

Minimum 5mm — Maximum 20mm

(Dependent upon fixing.)

SIZES

Standard Lengths 620mm, 720mm, 820mm, 920mm, 1020mm, 1220mm.

Seals can be cut on-site to the next size down without affecting operation.

(The 620mm may be cut down to a minimum 520mm).

FINISH

- Silver anodised aluminium with grey silicone gasket.

FIXING

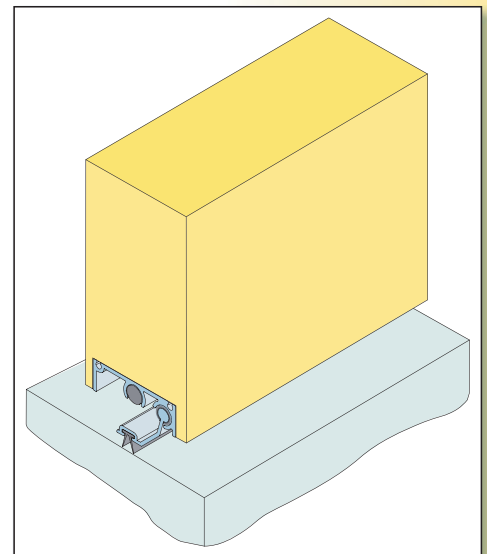
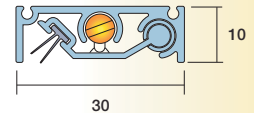
This seal can be fully mortised or mounted to the underside of the door (dependent on the gap size). Fixing screws are supplied, fixing holes are pre-drilled. Detailed fixing instructions are supplied with each unit.

APPROVAL/S

- AS1530/4 fire tests with proprietary fire door assemblies.
- Can be considered deemed to satisfy BCA specification C3.4 for use with smoke doors.
- Independent tests have been conducted, demonstrating over 1,000,000 open and close cycles without significant wear.

SPECIFICATIONS

Lorient Integrity™ IS8210si automatic swing seal, fitted to the underside of the door.



Above: Cut-away section showing an IS8210si rebated into the base of a door.