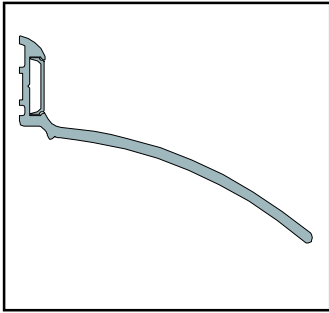


IS9010

Fitting Instruction

Rain Drip guard



Length:

DESCRIPTION OF CONTENTS

- Aluminium drip guard
- Flexible cover strip
- Stainless steel fixing screws and plugs
- Fitting instruction

TOOLS REQUIRED FOR INSTALLATION

- Tape measure
- Pencil or marker
- Saw (power or hand)
- Power drill
- 4mm drill bit
- 6mm masonry drill

INSTALLATION DETAIL

It is not necessary to remove the door from its hinges.– however ensure the proposed position of the guard does not interfere with the operating arc of the door

STEP 1

Remove the drip guard from the packaging and measure the door frame width.

STEP 2

Guard width should be the same as the overall frame width (if fixing directly to the frame) or add 100mm to frame width to provide a 50mm overhang on either side of the doorframe. (if fixing to the wall)

STEP 3

Remove flexible cover strip. Mark the guard with a pencil to the desired length and cut through using a saw.

STEP 4

Using a power drill with a 4mm drill bit, create fixing holes in the guard at the required positions.

STEP 5

Position the guard centrally above the door and mark out hole centres.

STEP 6

Using a power drill with a 6mm masonry bit, create fixing holes in required position. Insert supplied fixing plugs. (Metal door jambs, if mortar filled, will require a clearance hole before drilling with a masonry bit. If unfilled, drill pilot holes and screw fix with stainless self tappers supplied)

STEP 7

Apply a bead of water resistant sealant along the back face and fix the guard in position using supplied stainless steel screws.

STEP 8

Refit the flexible cover strip to hide screw heads and trim to length.

NOTE

For effective operation, the IS9010 drip guard requires a minimum of 38mm overhang either side of the door.

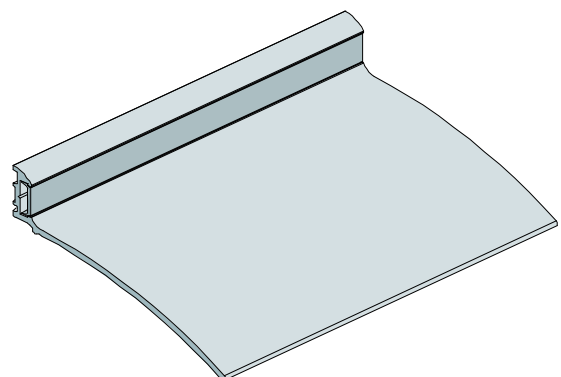
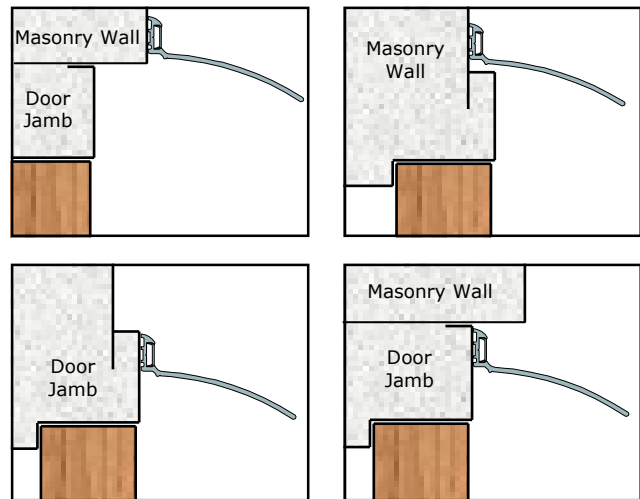
IMPORTANT – Ensure that the installation of this product does not impede the opening or closing of the door.

NOTE

Recommendations as to methods for use of materials and construction details are based on the experience and knowledge of Lorient and are given in good faith as a general guide and service to designers, contractors and manufacturers.

Lorient reserves the right to make alterations or delete any installation detail without prior notice.

FIXING OPTIONS



OTHER INTEGRITY™ ARCHITECTURAL SEALS INCLUDE:

- Door Perimeter Seals
- Door Bottom Seals
- Automatic Door Bottom Seals
- Threshold Plates
- Brush Seals
- Magnetic Seals

Contact your nearest Lorient office for further details.

AUSTRALIA
Lorient Australia
Tel 1300 858 010

ASIA PACIFIC
Lorient Pacific Limited Hong Kong
Tel: (+852) 2505 0328

EUROPE
Lorient Polyproducts Ltd UK
Tel: (+44) 1626 834252

MIDDLE EAST
Lorient Middle East Building
Materials Trading LLC Dubai
Tel (+971) 4267 4339
Fax (+971) 4267 5339