

## Winner of Best New Product at Designbuild 2002

### PRODUCT CODE

## IS9070 Finger Guard & IS9050 Hinge Guard

### DESCRIPTION

Heavy duty anti-crush finger guard.

### APPLICATION

The IS9070 safety seal is designed to prevent fingers being jammed on the opening side of the door.

The IS9050 safety seal is designed to prevent fingers being jammed on the hinged side of the door.

### KEY FEATURES

- Specialty seals specifically designed for application to each side of the door.
- The IS9070 incorporates fins to provide additional smoke and acoustic sealing properties.
- Easily installed without removing the door.
- Pre-slotted fixing holes provide for adjustable installation.
- Easy to install flexible cover strip for adjustable installation.
- Suitable for use on steel and timber door frames.

### USE WITH

Used in conjunction with any Lorient Integrity™ 7000 series Perimeter Seal and 8000 series Automatic Door Bottom Seal to provide a total door sealing solution.

### MATERIALS

**IS9070:** Two anodised aluminium profiles fitted with cover strips, combined with a self-retracting flexible rubber gasket.

**IS9050:** Two anodised aluminium profiles fitted with cover strips, combined with a flexible rubber gasket.

### SIZES

**Standard Lengths** 2250mm  
**Also available in** 250mm increments: 1000mm to 3000mm

### FINISH

- Silver anodised aluminium with grey cover strip and black gasket.
- Bronze anodised aluminium with black cover strip and black gasket.

Brown, grey, and cream colour gaskets available to special order.

### FIXING

The IS9070 is fitted to the frame and opening jamb of the door. The IS9050 is fitted along the entire hinged edge.

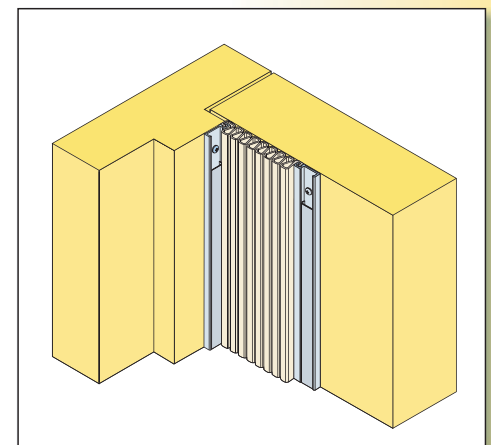
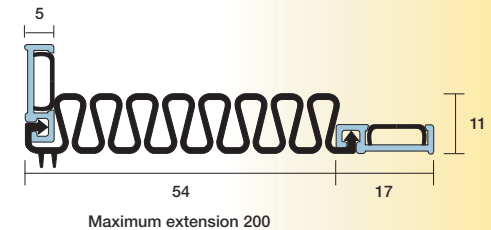
Fixing holes are pre-slotted to allow the seals to be adjusted and positioned accurately. A decorative cover strip is supplied to cover fixings. Fixing screws are supplied.

### SPECIFICATIONS

Lorient Integrity™ IS9070 Finger Guard seal fitted to the opening side of the door.

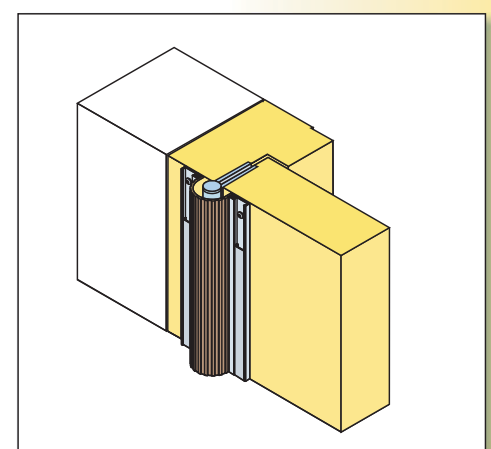
Lorient Integrity™ IS9050 Hinge Guard seal fitted to the hinged side of the door.

### IS9070



**Above:** IS9070 Finger Guard Seal fitted to the opening side of the door.

### IS9070



**Above:** IS9050 Hinge Guard Seal fitted to the hinged side of the door.