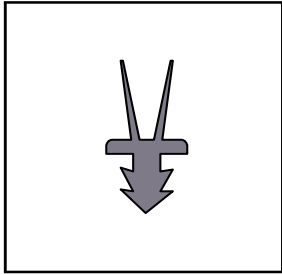


LEO511/FT

Fitting Instruction

Firtree Seal



Length:

DESCRIPTION OF CONTENTS

- Kerf-Fit Firtree Seal
- Fitting instructions

TOOLS REQUIRED FOR INSTALLATION

- Tape Measure
- Knife / Scissors
- Pencil or Marker
- Router & 3mm Cutter

INSTALLATION DETAIL FOR DOOR EDGE OR MEETING STILE.

Note: For fitting the LEO511/FT Firtree seal requires a 3mm wide x 5mm (min) deep groove and minimum 3mm door (operating) clearances.

STEP 1

Check that the door has adequate operating clearance (3mm min) around perimeter and if necessary adjust accordingly.

STEP 2

Remove door from hinges and measure / mark the desired seal location.

STEP 3

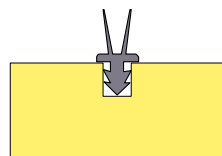
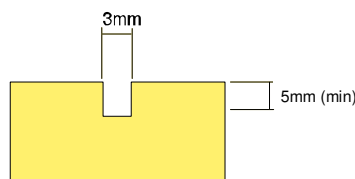
Using the router machine a 3mm wide x 5mm (min) deep groove along the door edge.

STEP 4

Clean out the routed grooves ensuring that they are free of sawdust.

STEP 5

Measure and cut the Firtree to the desired lengths.



STEP 6

Starting from one end, offer the barbed end of the Firtree to the groove and push fit into place working progressively down the door edge .

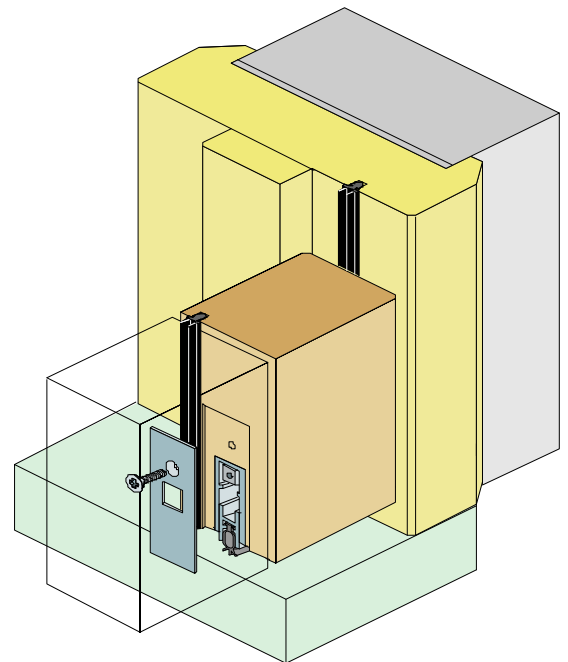
STEP 7

Re-hang door and check the door for correct operation and ensure the seal is making light contact with the opposing surface.

IMPORTANT

Ensure that the installation of this product does not impede the opening or closing of the door. It is recommended to check the door seal periodically to ensure the door assembly to which it is fitted, closes and latches properly.

The seal may be cleaned periodically with a damp cloth and mild detergent.



AUSTRALIA
Lorient Australia

Tel 1300 858 010

ASIA PACIFIC
Lorient Pacific Limited Hong Kong

Tel: (+852) 2505 0328

EUROPE
Lorient Polyproducts Limited UK

Tel: (+44)-1626 834252

MIDDLE EAST
Lorient Middle East Building
Materials Trading LLC Dubai

Tel (+971) 4267 4339
Fax (+971) 4267 5339

OTHER LORIENT ARCHITECTURAL SEALS INCLUDE: INTEGRITY™ RANGE

- Door Perimeter Seals
- Threshold Plates
- Door Bottom Seals
- Brush Seals
- Automatic Door Bottom Seals
- Magnetic Seals

Contact your nearest Lorient office for further details.