



PRODUCT CODE

LE1212, LE1515 Batwing®

DESCRIPTION

A "Batwing®" shaped, co-extruded smoke and acoustic seal.

APPLICATION

The "Batwing®" Perimeter Seal is fitted in the rebate of a door frame to contain ambient and medium temperature smoke, sound and also draughts, dust and light.

KEY FEATURES

- Proven performance to medium temperature smoke.
- Fits quickly and easily without removing the door.
- Designed to reduce excessive opening and closing forces.
- Testing shows outstanding acoustic performance.
- Strategically located in the impact free zone of the opening.

USE WITH

Used in conjunction with a Lorient LP1004 fire and hot smoke seal for a life safety door system incorporating ambient—medium—hot smoke and acoustic properties.

MATERIALS

Consists of a semi-rigid thermoplastic carrier combined with twin elastomeric sealing blades. An aggressive self-adhesive backing tape is situated on both sides of the carrier.

GAP SIZE

LE1212	Maximum Door Clearance 2-3mm
LE1515	Maximum Door Clearance 4-5mm

SIZES

Door Sets

Single:	1 x 1000mm, 2 x 2100mm
Long Single:	1 x 1000mm, 2 x 2750mm
Double:	3 x 2100mm
Long Double:	1 x 2100mm, 2 x 2750mm

Standard Lengths:	1000mm, 2100mm, 2400mm, 2700mm, 3000mm
--------------------------	--

FINISH

Standard Colours:

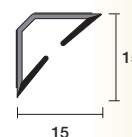
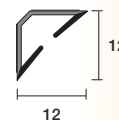
LE1212	Black (white, brown or grey colour available upon request)
LE1515	Black (white colour available upon request)

FIXING

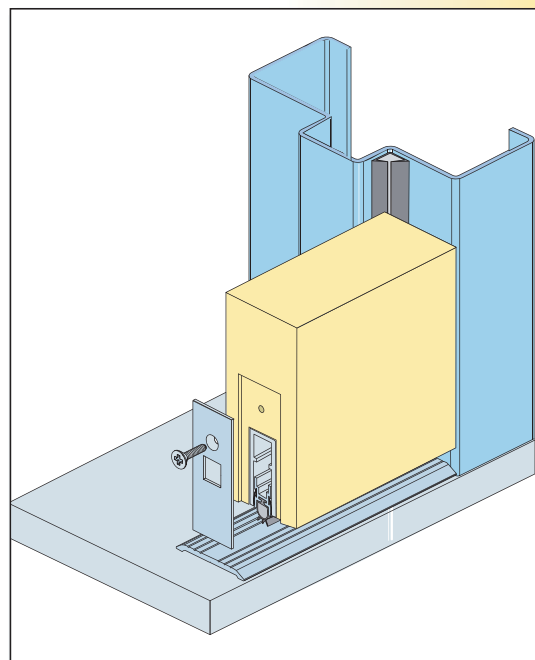
The product is fitted into the rebate of the door frame and applied using the 2 layers of self-adhesive tape.

APPROVAL/S

- AS1530/4 fire tests proprietary fire door assemblies.
- AS1530/7 air (smoke) leakage rates available at ambient and medium temperature at various pressures.
- Acoustic ratings to AS1191 and AS1276 in conjunction with other Lorient Integrity seals.
- Independent tests have been conducted, demonstrating over 100,000 open and close cycles without significant wear.



Below: LE1212 Batwing® seal applied to a steel frame and combined with an IS8010si automatic door bottom seal.



SPECIFICATIONS

Lorient LE XYXY fitted into the rebate of the door frame. Insert XY = 1212 (12mm) or 1515 (15mm).