



PRODUCT CODE

LP3107 & LP3107SS

DESCRIPTION

LP Series intumescent fire and combined fire and smoke seal.

APPLICATION

Incorporated into proprietary fire door and life safety door assemblies to provide resistance against fully developed fires where hot flames, gases and smoke are at extreme temperatures.

KEY FEATURES

- Utilised in proprietary aluminium bullnose meeting stile sections.
- Decorative and protective PVC outer casing. 'SS' version has offset brush pile incorporated into profile to help provide resistance to smoke.
- Ideal for fire engineering solutions where fire (or fire and smoke) protection is necessary.

USE WITH

Used in conjunction with other Lorient LP Series intumescent perimeter seals and door bottom seals, as tested on typical proprietary fire doors.

MATERIALS

LP3107: Lorient high performance, sodium silicate based intumescent core, encapsulated in a rigid flame retardant PVC outer casing, complete with aggressive self-adhesive tape backing.

LP3107SS: LP3107 intumescent seal with incorporated offset brush pile.

GAP SIZE

Minimum 1mm — Maximum 3mm

(Dependent upon seal type and application.)

LP3107: This product sits flush with the edge of the door leaf or door frame edge.

LP3107SS: This product is usually incorporated into proprietary aluminium bullnose meeting stile sections.

SIZES

Standard Lengths 2100mm, 2400mm, 3000mm.

FINISH

- **LP3107:** Silver.
- **LP3107SS:** Silver with black brush pile.

FIXING

LP3107: The product fits into a groove made in the edge of the door leaf or door frame and is secured using the self-adhesive backing tape.

LP3107SS: This product fits into the proprietary aluminium sections of bullnose meeting stiles for double action fire doors.

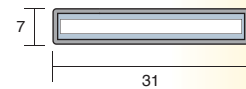
APPROVAL/S

- AS1530/4 fire tests with proprietary fire doors.

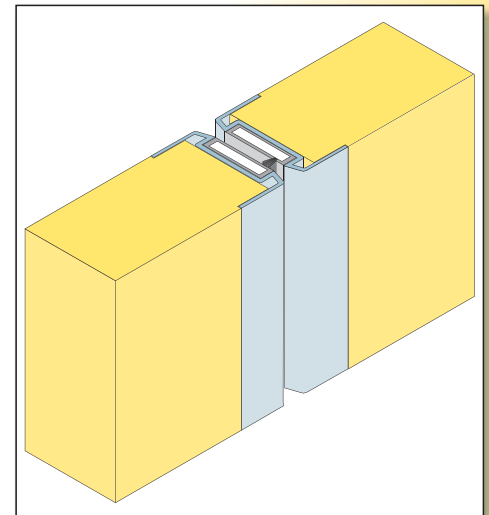
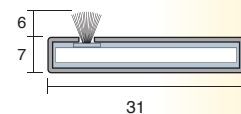
SPECIFICATIONS

Lorient LP3107/LP3107SS intumescent seal fitted into groove in edge of the door leaf/door frame/meeting stile section.

LP3107



LP3107SS



Above: LP3107SS seals incorporated into aluminium bullnose meeting stile set.