



## Acoustic Sealing Solutions

### Solution for Non-Rated 40mm Solid Core Timber Door to Achieve Rw30

Single Leaf / Single Swing

#### IS7090si & IS8090si

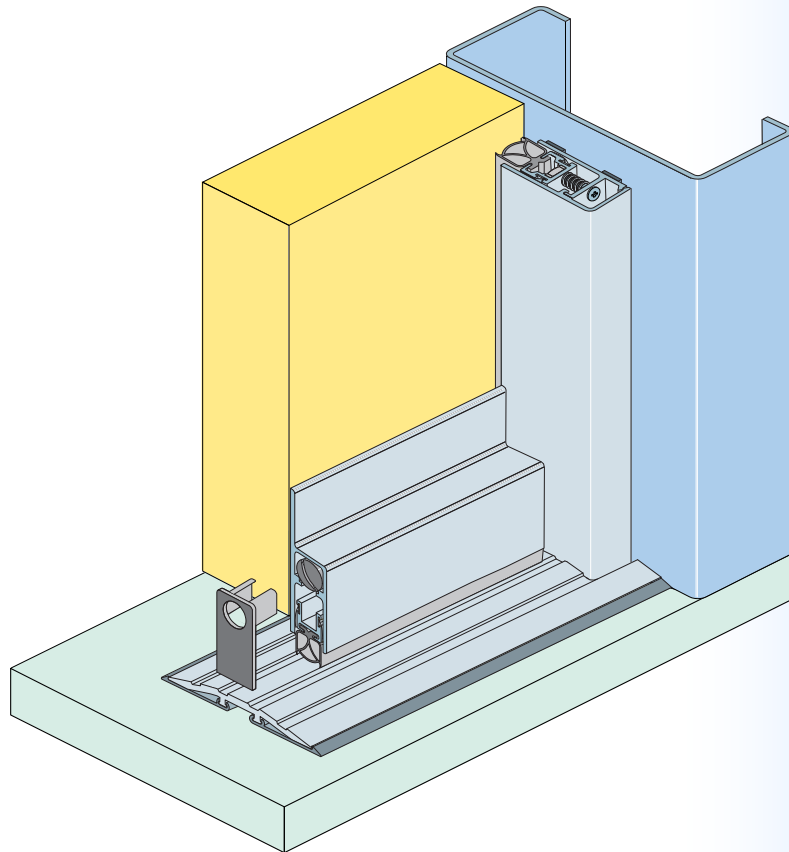
##### Description

**IS7090si perimeter seal** - heavy duty, self-adjusting & adjustable perimeter seal, fitted to the head & jambs of door perimeters in lieu of door stops.

**IS8090si automatic door bottom seal** - heavy duty, face-fixed or semi-mortised automatic door bottom seal.

##### Application

This sealing combination suitable for typical plant room, exit doors & door applications requiring a heavier duty acoustic sealing system.



\* Shown with an IS4010 threshold plate to provide an optimum sealing surface for door bottom seals.

Please contact our office if you require any further information

NSW Ph: (02) 9907 3844 Fax: (02) 9907 3855

VIC Ph: (03) 9785 2688 Fax: (03) 9785 2386

QLD Fax: (07) 3635 5000 Fax: (07) 3861 9266

E-mail [integrity@lorient.com.au](mailto:integrity@lorient.com.au)

[www.lorient.com.au](http://www.lorient.com.au)

Datasheet D-SOL016-08/08. Other datasheets available on request. Copyright © 2008 Lorient Australia