



Acoustic Sealing Solutions

Solution for Non-Rated 40mm Solid Core Timber Door to Achieve Rw30

Double Leaf / Single Swing

LE1212 / IS7061 / IS8010si

Description

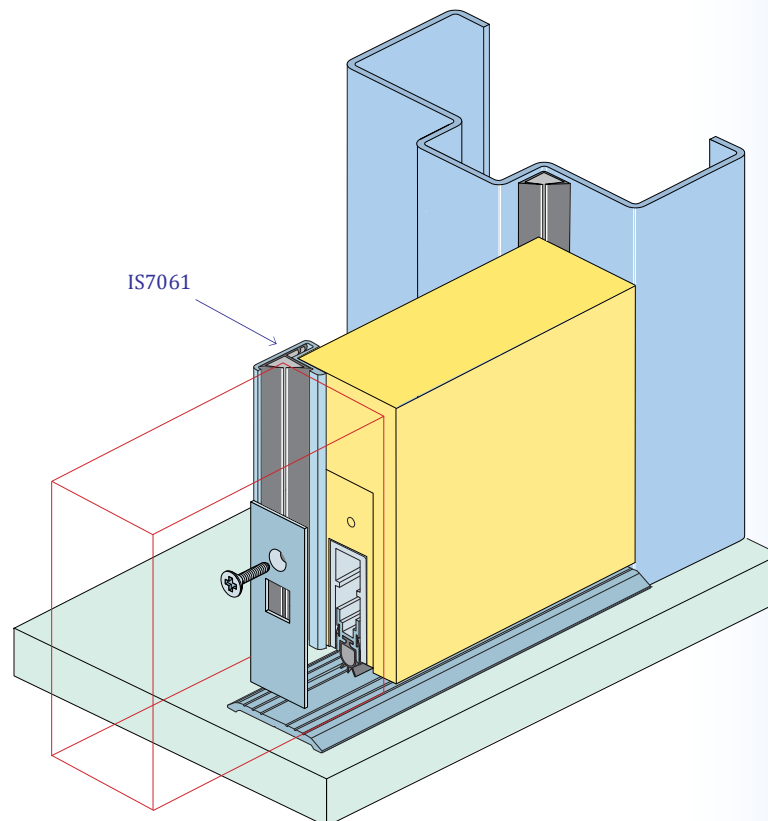
LE1212 perimeter seal - retrofit curved-fin Batwing seal with proven smoke & acoustic performance.

IS7061 meeting stile seal - incorporating the LE1212K kerf-fitted Batwing seal, suitable for plain or rebated meeting stiles.

IS8010si automatic door bottom seal - medium duty, fully-mortised automatic door bottom seal.

Application

This sealing combination suitable for typical double entry doors & passages for apartments, hotels, motels & aged care facilities where a sound insulation minimum of Rw30 is required.



* Shown with an IS4130 threshold plate to provide an optimum sealing surface for door bottom seals.

Please contact our office if you require any further information

NSW Ph: (02) 9907 3844 Fax: (02) 9907 3855

VIC Ph: (03) 9785 2688 Fax: (03) 9785 2386

QLD Fax: (07) 3635 5000 Fax: (07) 3861 9266

E-mail integrity@lorient.com.au

www.lorient.com.au

Datasheet D-SOL007-08/08. Other datasheets available on request. Copyright © 2008 Lorient Australia