



Smoke Sealing Solutions

Solution for Smoke Doors ('deemed to satisfy' BCA Specification C3.4)

Single Leaf / Single Swing

IS7080si & IS8090si

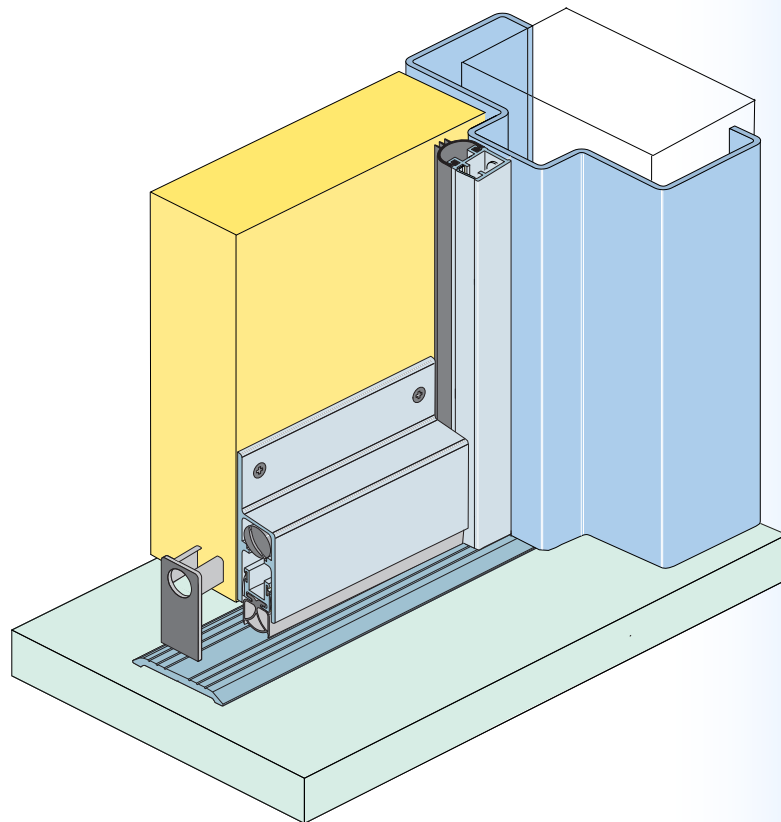
Description

IS7080si perimeter seal - compact, stop-mounted acoustic & smoke seal featuring a durable silicone bulb.

IS8090si automatic door bottom seal - heavy duty, face-fixed or semi-mortised automatic door bottom seal.

Application

This sealing combination suitable for typical smoke doors requiring seals to withstand smoke at 200°C for 30 minutes, as per the Building Code of Australia, Specification C3.4 for 'smoke doors'.



* Shown with an IS4130 threshold plate to provide an optimum sealing surface for door bottom seals.

Please contact our office if you require any further information

NSW Ph: (02) 9907 3844 Fax: (02) 9907 3855

VIC Ph: (03) 9785 2688 Fax: (03) 9785 2386

QLD Fax: (07) 3635 5000 Fax: (07) 3861 9266

E-mail integrity@lorient.com.au

www.lorient.com.au

Datasheet D-SOL014-08/08. Other datasheets available on request. Copyright © 2008 Lorient Australia