



## Smoke Sealing Solutions

### Solution for Smoke Doors ('deemed to satisfy' BCA Specification C3.4)

Single Leaf / Single Swing

#### IS7190si & IS8090si

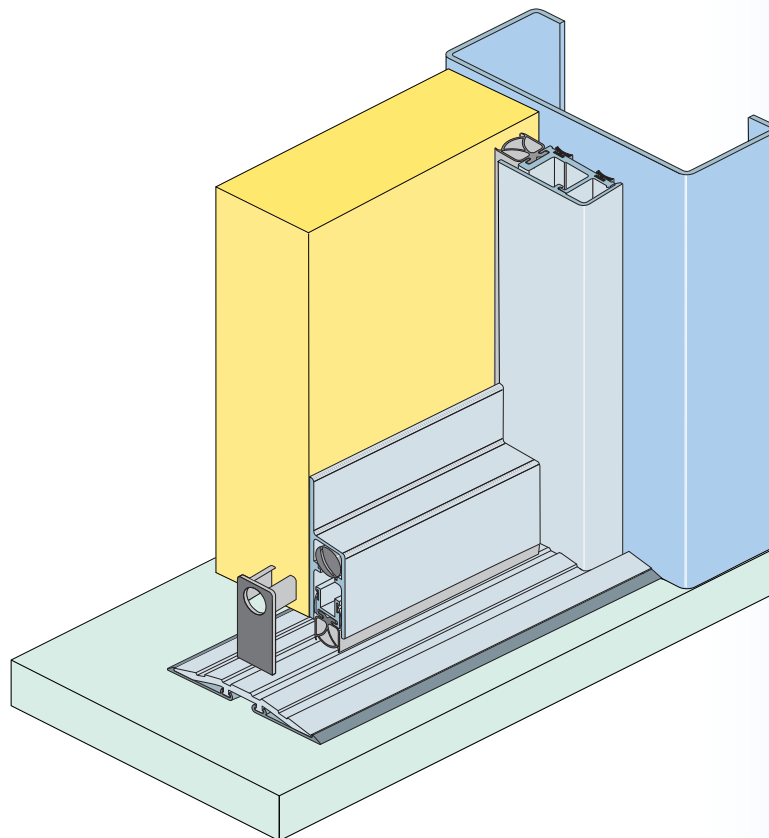
##### Description

**IS7190si perimeter seal** - heavy duty smoke & acoustic seal fitted to the head & jambs of door frame perimeters in lieu of door stops.

**IS8090si automatic door bottom seal** - heavy duty, face-fixed or semi-mortised automatic door bottom seal.

##### Application

This sealing combination suitable for typical smoke doors requiring seals to withstand smoke at 200°C for 30 minutes, as per the Building Code of Australia, Specification C3.4 for 'smoke doors'.



\* Shown with an IS4010 threshold plate to provide an optimum sealing surface for door bot-

Please contact our office if you require any further information

NSW Ph: (02) 9907 3844 Fax: (02) 9907 3855

VIC Ph: (03) 9785 2688 Fax: (03) 9785 2386

QLD Ph: (07) 3635 5000 Fax: (07) 3861 9266

E-mail [integrity@lorient.com.au](mailto:integrity@lorient.com.au)

[www.lorient.com.au](http://www.lorient.com.au)

Datasheet D-SOL017-08/08. Other datasheets available on request. Copyright © 2008 Lorient Australia