



## Smoke Sealing Solutions

### Solution for Smoke Doors ('deemed to satisfy' BCA Specification C3.4)

Double Leaf / Single Swing

**LE1212 / IS7061 / IS8010si**

#### Description

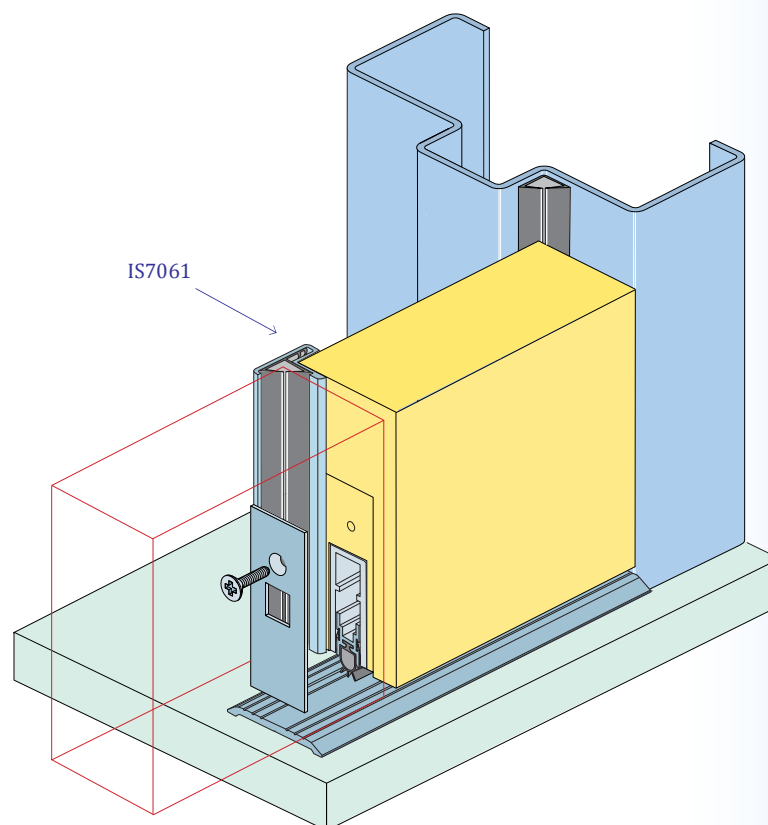
**LE1212 perimeter seal** - retrofit curved-fin Batwing seal with proven smoke & acoustic performance.

**IS7061 meeting stile seal** - incorporating the LE1212K kerf-fitted Batwing seal, suitable for plain or rebated meeting stiles.

**IS8010si automatic door bottom seal** - medium duty, fully-mortised automatic door bottom seal.

#### Application

This sealing combination suitable for typical double leaf smoke doors requiring seals to withstand smoke at 200°C for 30 minutes, as per the Building Code of Australia, Specification C3.4 for 'smoke doors'.



\* Shown with an IS4130 threshold plate to provide an optimum sealing surface for door bottom seals.

Please contact our office if you require any further information

NSW Ph: (02) 9907 3844 Fax: (02) 9907 3855

VIC Ph: (03) 9785 2688 Fax: (03) 9785 2386

QLD Fax: (07) 3635 5000 Fax: (07) 3861 9266

E-mail [integrity@lorient.com.au](mailto:integrity@lorient.com.au)

[www.lorient.com.au](http://www.lorient.com.au)

Datasheet D-SOL020-08/08. Other datasheets available on request. Copyright © 2008 Lorient Australia